

## SNAKKY SL - 220 VOLT - 50 HZ

Подробнее о данном снековом торговом автомате: [www.megavend.ru/automats](http://www.megavend.ru/automats)

On-line каталог запасных частей:  
[www.megavend.ru/spares](http://www.megavend.ru/spares)

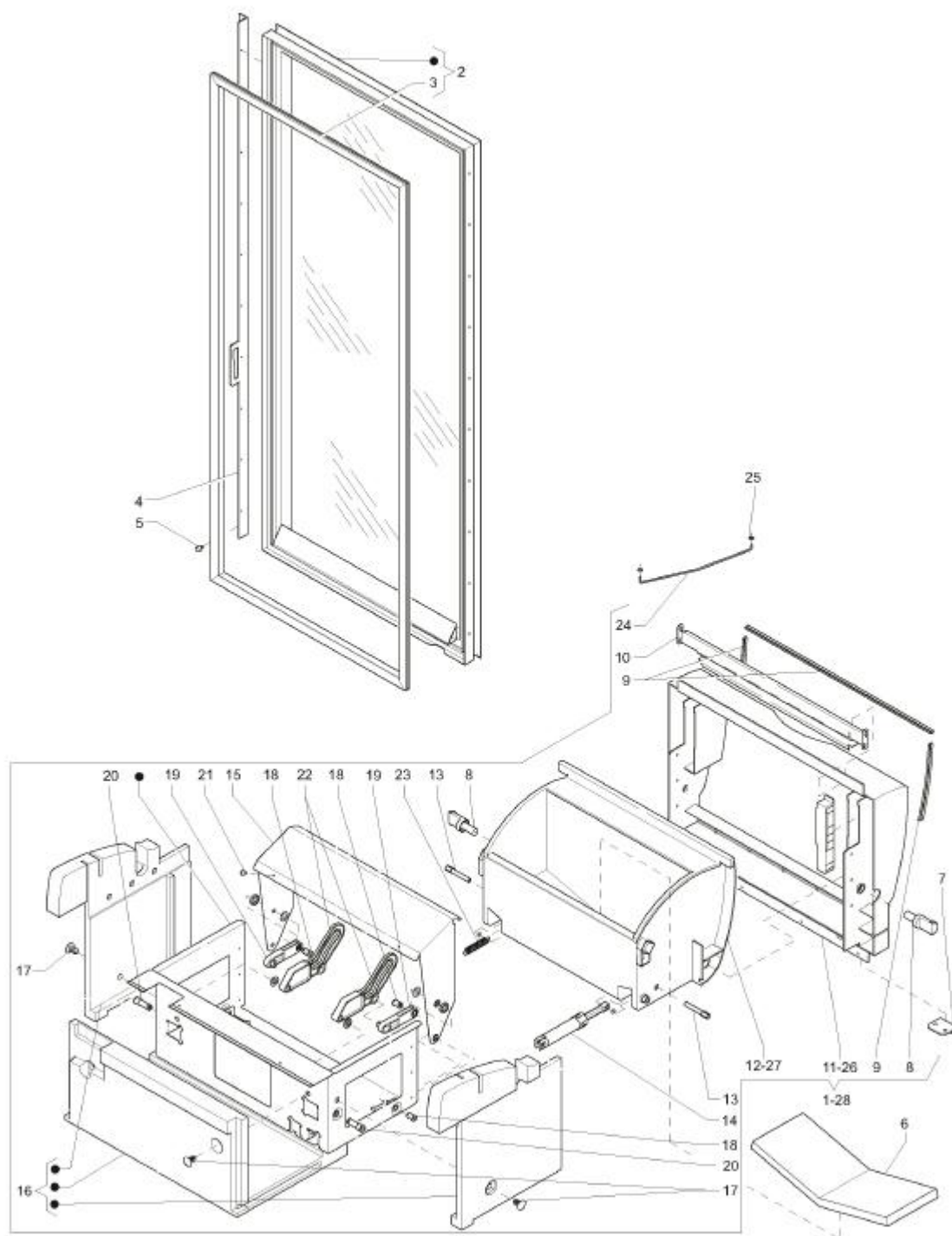
Технические характеристики автомата:  
[www.vendex.ru/?id=92](http://www.vendex.ru/?id=92)

195027, Санкт-Петербург, ул. Магнитогорская, д. 51,  
лит. "Б"

Телефоны: (812) 380-76-57, +7 905 223-11-80,  
+7 905 254-93-46 - менеджер по продажам.

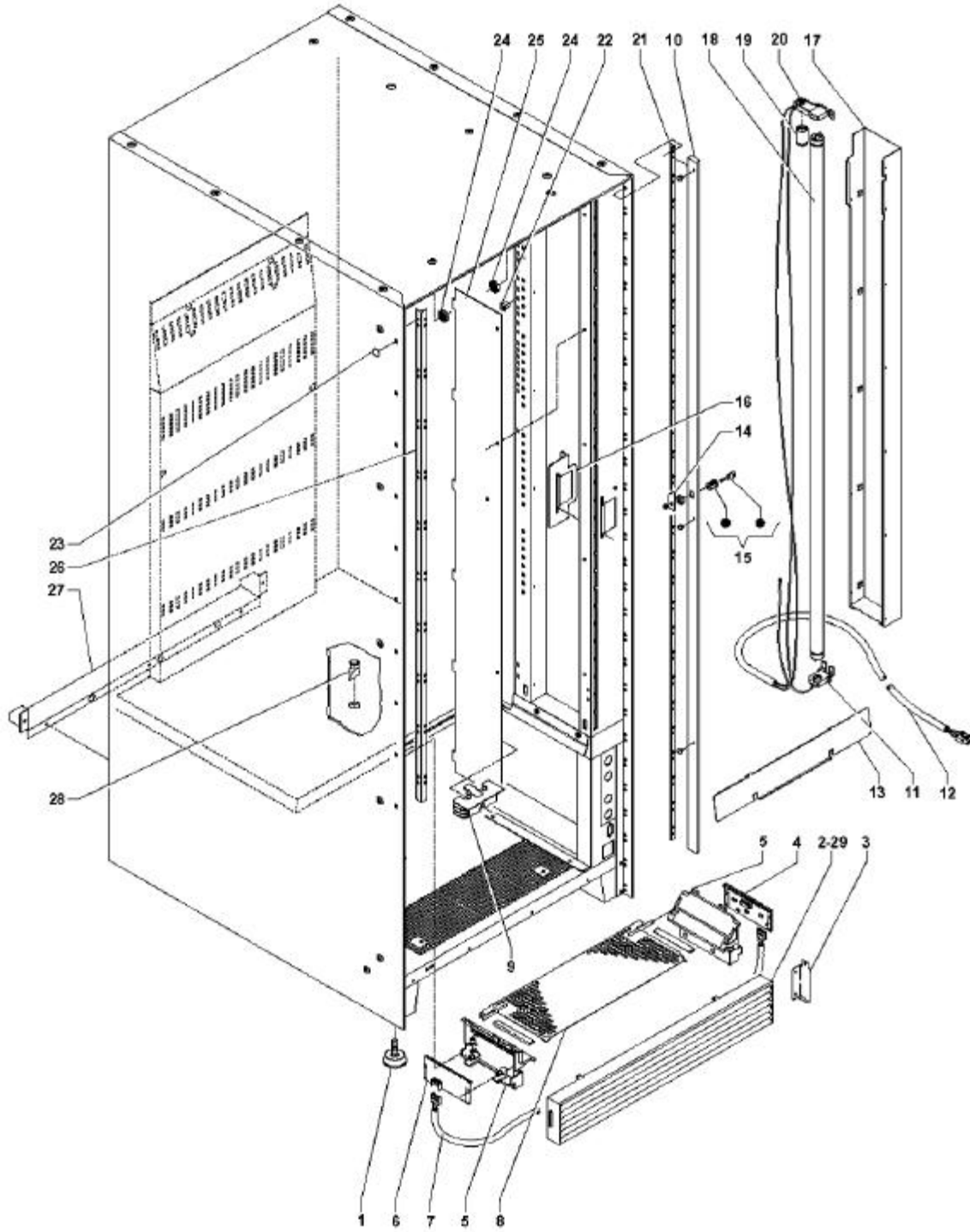
График работы: понедельник-пятница 9.00-18.00





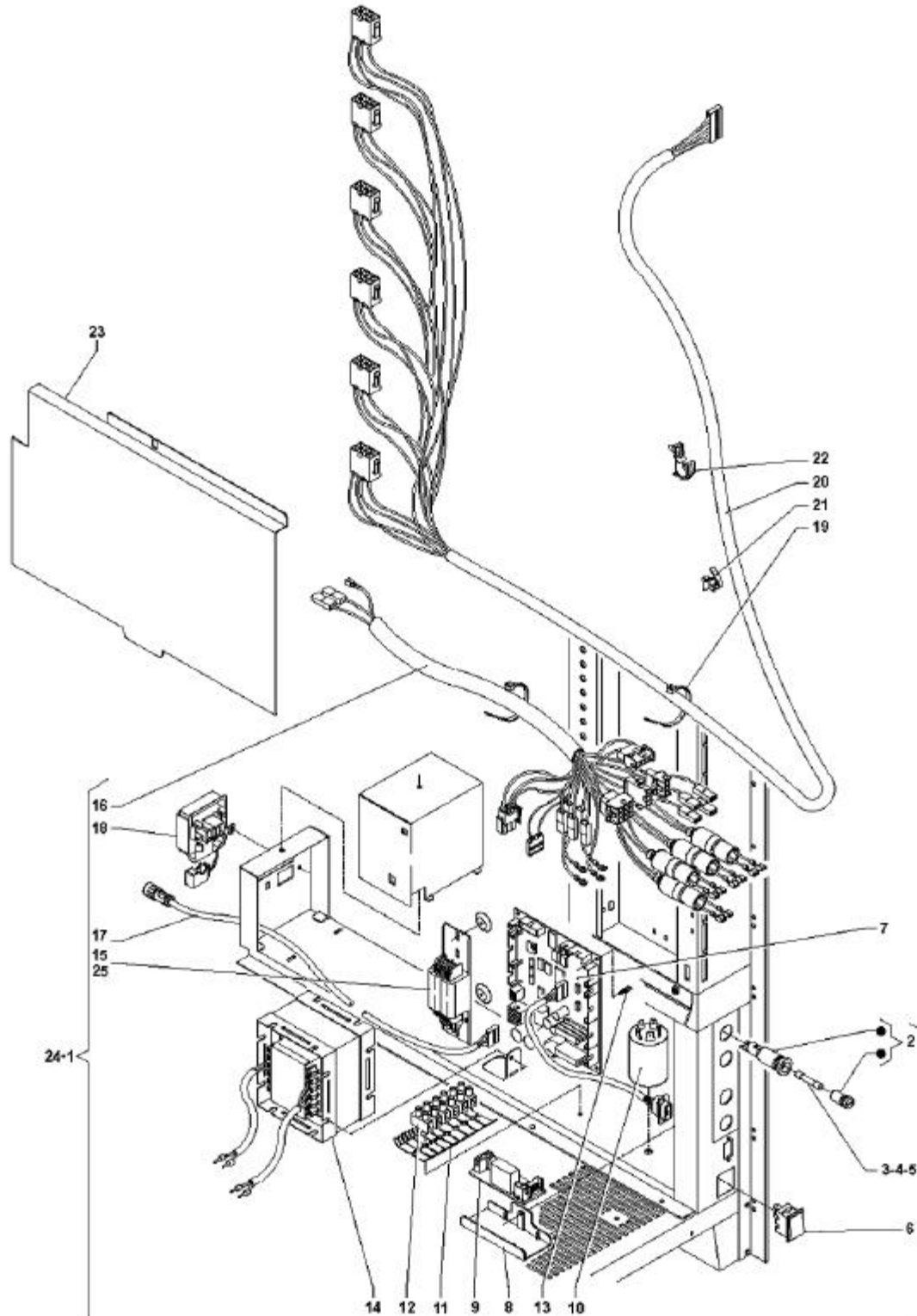
---

	<b>Code</b>	<b>Description</b>	<b>Notes</b>
1	0V3472	DISPENSING COMPARTMENT	
2	0V3450	DOOR WITH GLASS	
3	0V3511	MAGNETIC SEAL	
4	250572	LOCKING PROFILE	
5	092738	WEDGE BUMPER	
6	250346	DAMPER BEARING	
7	250476	MOLDING SECURING BRACKET	
8	0V3480	ROTATION BUSHING	
9	0V3481	SEAL (BY METRE)	
10	250569	MOLDING INSERT	
11	0V3479	EXT. DISPENSING COMPARTMENT MOLDING	
12	0V3478	DISPENSING SLIDER	
13	0V3483	PIN	
14	0V3482	SLOWDOWN CYLINDER	
15	0V3473	ANTI-THEFT	
16	0V3582	COMPARTMENT INSULATION	
17	0V3583	CLIPS	
18	0V3474	ANTI-THEFT PIN	
19	0V3475	ANTI-THEFT ROD	
20	0V3477	CAM PIN	
21	098833	BUFFER	
22	0V3476	ANTI-THEFT DEVICE CONTROL CAM	
23	0V3484	COMPARTMENT RETURN SPRING	
24	0V3451	DOOR STOP	
25	093754	BENZING COLLAR QUICKBLOCK BQ DIAM MM	
26	250791	EXT. DISPENSING COMPARTMENT MOLDING-BLACK	
27	250356	DISPENSING SLIDER - BLACK-	
28	250010	DISPENSING COMPARTMENT -BLACK-	



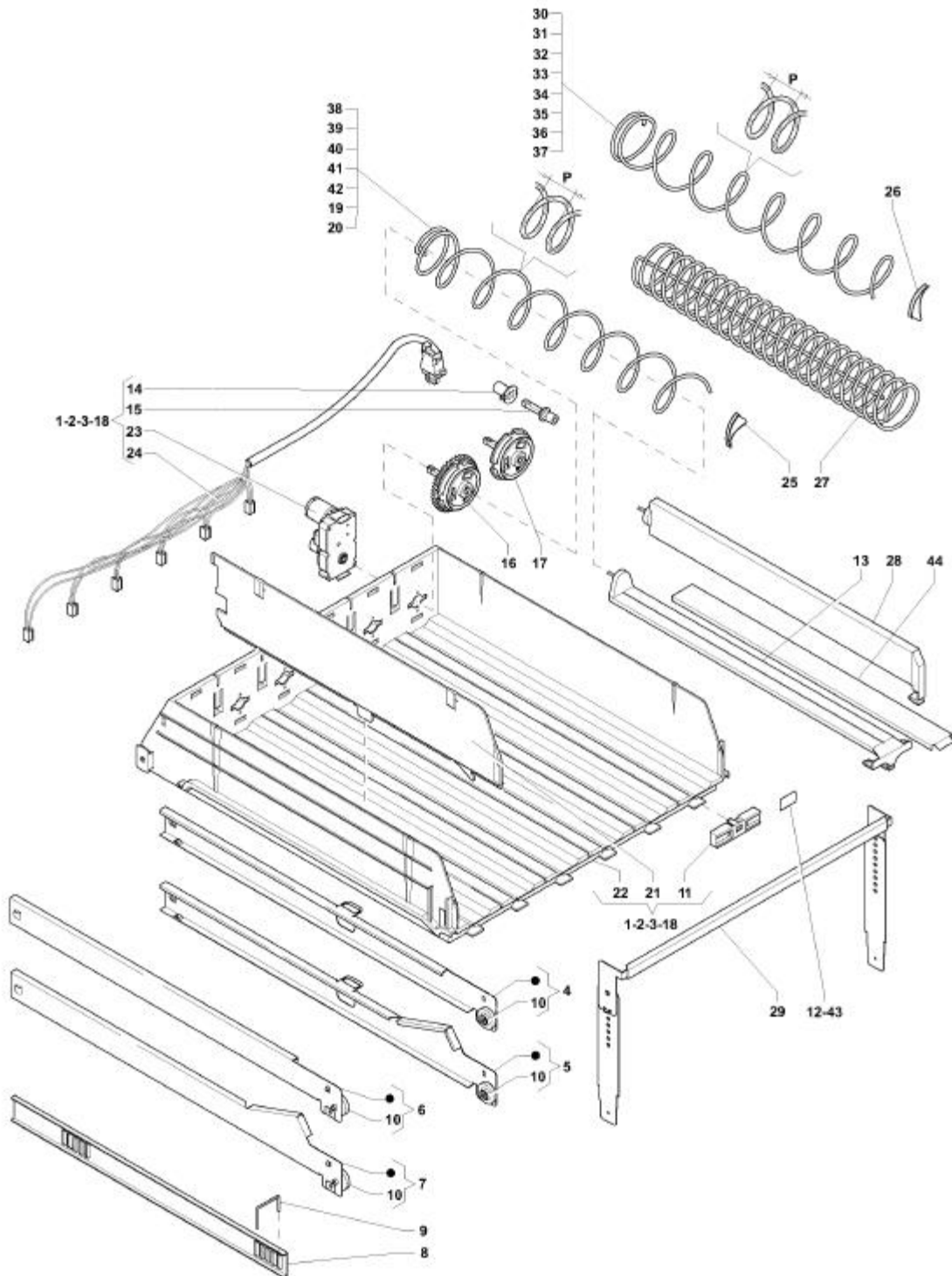
---

	<b>Code</b>	<b>Description</b>	<b>Notes</b>
1	252124	4 FEET KIT	
2	250579	FOOTCOVER	
3	250576	SQUARE PIECE	
4	0V3499	RECEIVING PHOTOCELL CARD	
5	0V3581	PRODUCTS DEFLECTOR	
6	0V3498	TRANSMITTING PHOTOCELL CARD	
7	0V3454	PHOTOCELL WIRING	
8	0V3584	PRODUCTS CONVEYOR	
9	0V3431	TUBE STOP	
10	250577	FRONT	
11	099153	LAMP-HOLDER	
12	250582	LAMP WIRING	
13	0V3430	DOUBLE TEMPERATURE WALL	UNTIL SERIAL NUMBER 82601780
13	253784	DOUBLE TEMPERATURE WALL	FROM SERIAL NUMBER 82601781
14	250575	LATCH	
15	099905	LOCK RIELDA	
16	250574	LOCK COUPLER BRACKET	
17	250571	LAMP SUPPORT	
18	985532	NEON LIGHT 36 WATT	
19	091802	STARTER TYPE S10	
20	099154	LAMP-HOLDER W/STARTER-HOLDER	
21	0V3176	DOOR HINGE	
22	094111	INSULATING DOLLY BLOCK	
23	0V3585	STOPPER	
24	0V0102	ROLLER	
25	250578	LAMP SHIELD	
26	0V3580	DOOR HINGE	
27	250573	REAR SPACER	
28	0V0346	DRAIN TUBE	
29	250776	FEET COVER (BLACK)	



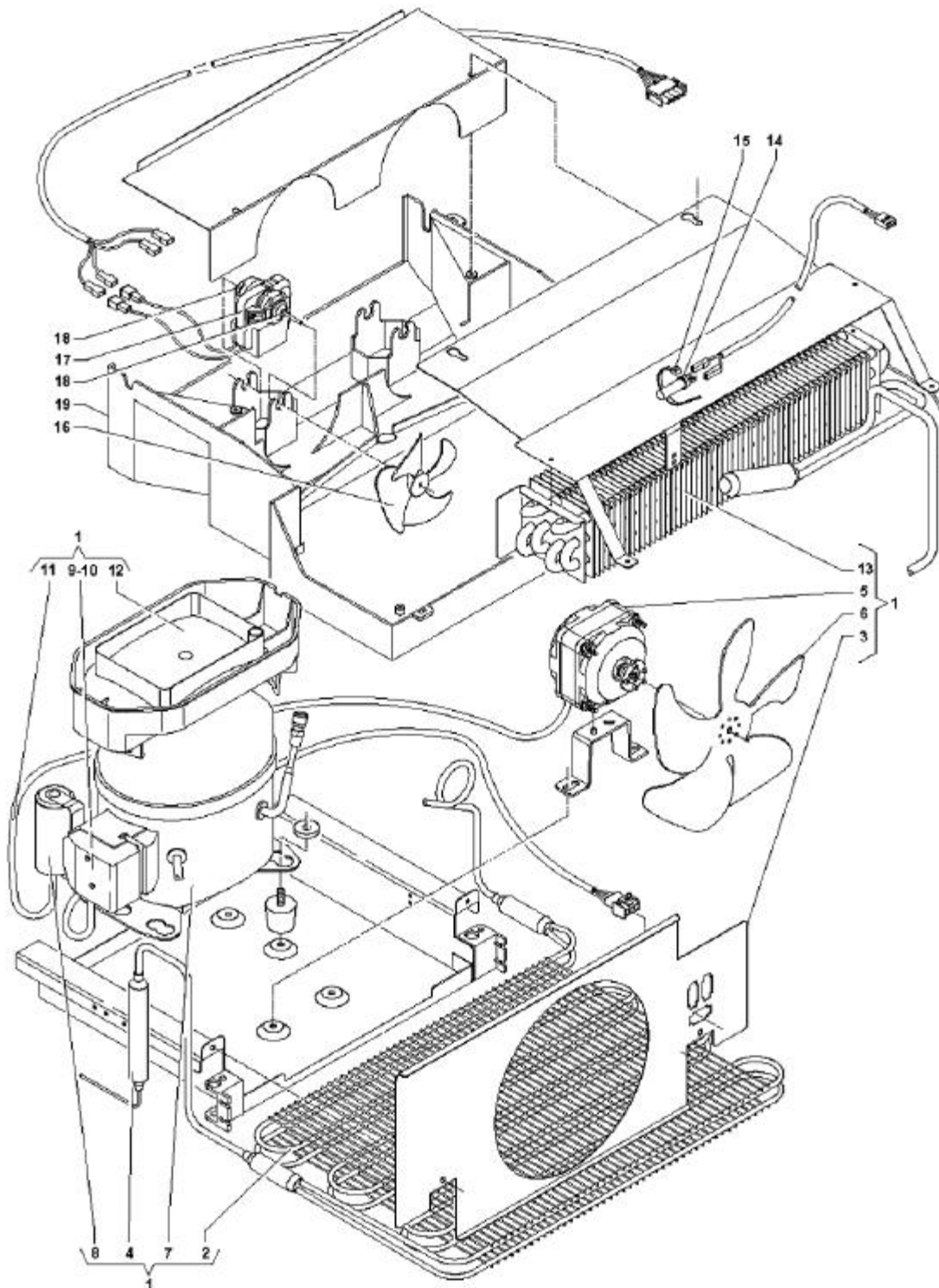
---

	<b>Code</b>	<b>Description</b>	<b>Notes</b>
1	250584	ELECTRICAL PANEL	
2	0V3201	FUSE HOLDER	
3	0V3170	6.3 AMP FUSE 6.3X32	
4	250589	FUSE 6.3X32 T250M AMP	
5	250588	FUSE 6.3X32 1.25 AMP	
6	0V3200	DOUBLE-POLE SWITCH	
7	252436	16 BIT CPU BOARD 4MB	UNTIL SERIAL NUMBER 62101711
7	252436	16 BIT CPU BOARD 4MB	FROM SERIAL NUMBER 62101712
8	094849	COVERING-HOLDER	
9	0V0016	OUTR-VARISTOR CARD	
10	0V3512	ELECTRICAL NET FILTER	
11	097242	SUB-TERMINAL BOARD	
12	986053	TERMINAL BOARD	
13	097175	CARD SPACER	
14	250585	TRASFORMER G40 230/26 VOLT	
15	987367	36-40WATT BALLAST	
16	250586	ELECTRICAL PANEL WIRING	
17	250587	MASTER-SLAVE CONNECTION WIRING	
18	098796	TERMINAL BOARD	
19	090148	CLIP	
20	250581	WIRING TRAY	
21	098165	WIRE-FIXING	
22	098459	WIRE-CLIP	
23	250570	SHUTTER	
24	253560	ELECTRICAL PANEL 240V-UK/AUS-	
25	252898	240V 50HZ BALLAST -UK-	



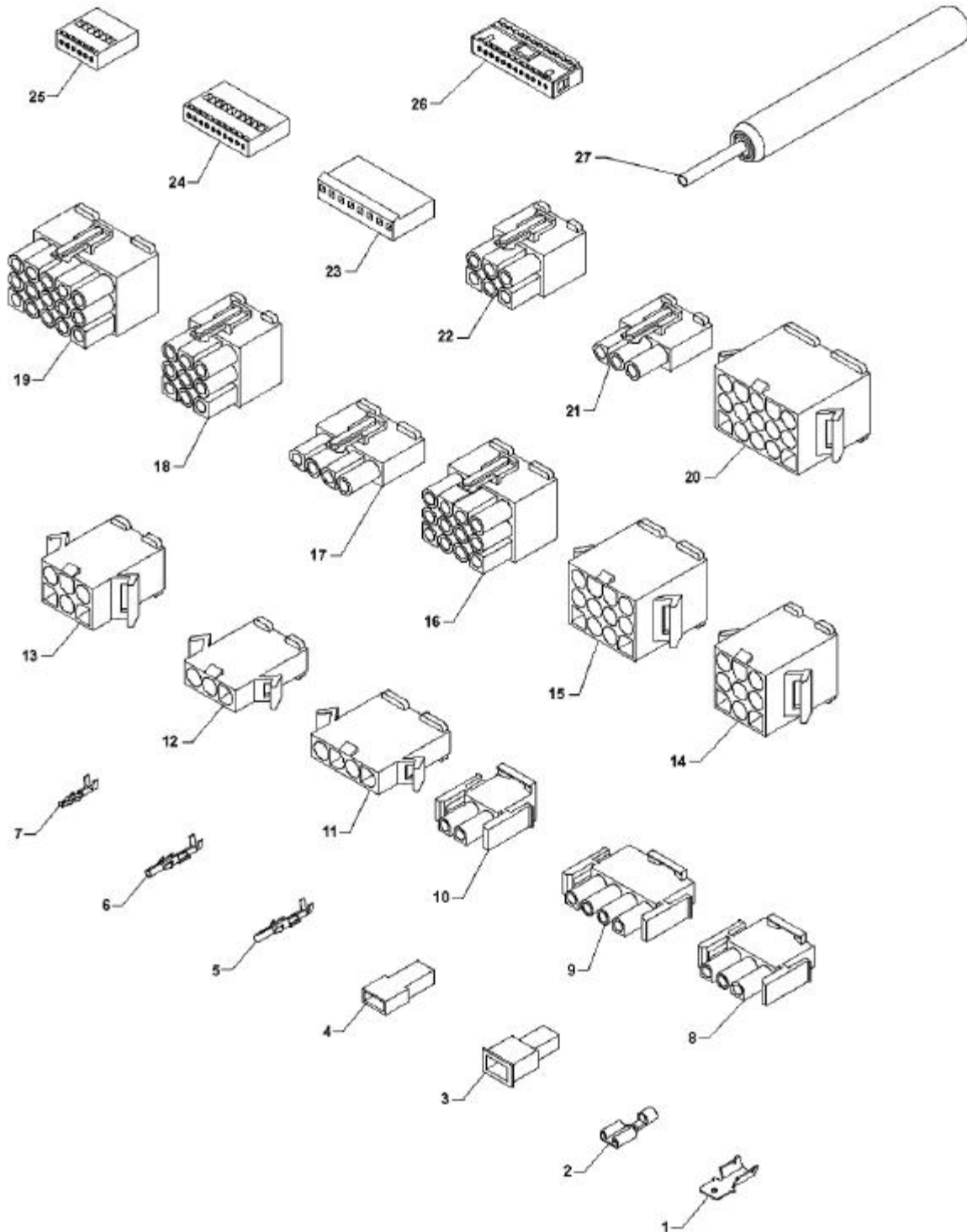


	<b>Code</b>	<b>Description</b>	<b>Notes</b>
1	0V3486	TRAY ASSEMBLY WITH 3 SELECTIONS	
2	0V3495	TRAY ASSEMBLY WITH 6 SELECTIONS-SNAKKY	
3	0V3597	TRAY ASSEMBLY WITH 5 SELECTIONS	
4	0V3432	RH STATIONARY GUIDE	
5	0V3434	RH BENT GUIDE	
6	0V3435	LH STATIONARY GUIDE	
7	0V3436	LH BENT GUIDE	
8	0V3509	DRAWER EDGE ELEVATION	
9	0V3510	DRAWER ELEVATION PIN	
10	0V0102	ROLLER	
11	0V3493	DRAWER WITH LABEL	
12	0V3504	(Q.TY 80 ) TRAY LABELS	
13	0V3497	PRODUCT ELEVATION	
14	0V0080	BUSH FOR PIN	
15	0V0079	BUSH	
16	250321	ASSEMBLY FOR DOUBLE SPIRAL	
17	250320	ASSEMBLY FOR SINGLE SPIRAL	
18	250084	TRAY - 2 DOUBLE/2 SINGLE	
19	0V3536	LH SPIRAL. PITCH 80 (6 PRODUCTS)	
20	0V3539	LH SPIRAL. PITCH 40 (11 PRODUCTS)	
20	253625	LEFT SPIRAL.PITCH 30(15 PRODUCTS)	
21	0V3492	DRAWER EDGE	
22	0V3487	TRAY	
23	0V0075	MOTOREDUCER	
24	0V3494	DRAWER WIRING	
25	0V0099	LEFT EJECTOR	
26	0V0098	RIGHT EJECTOR	
27	0V3540	RH SPIRAL. PITCH 24 1/2 TURN (19+19 PROD.)	
28	0V3505	SPIRAL INSERT 1/2 REV	
29	0V3528	BOTTLE BRIDGE	
30	0V3500	RH SPIRAL. PITCH 54 (8 PRODUCTS)	
31	0V3502	RH SPIRAL. PITCH 34 (13 PRODUCTS)	
32	0V3503	RH SPIRAL. PITCH 80 (6 PRODUCTS)	
33	0V3529	RH SPIRAL. PITCH 24 (19 PRODUCTS)	
34	0V3530	RH SPIRAL. PITCH 46 (10 PRODUCTS)	
35	0V3531	RH SPIRAL. PITCH 64 (7 PRODUCTS)	
36	0V3537	RH SPIRAL. PITCH 30 (15 PRODUCTS)	
37	0V3538	RH SPIRAL. PITCH 40 (11 PRODUCTS)	
38	0V3501	LEFT SPIRAL. PITCH 54 (8 PRODUCTS)	
39	0V3532	LH SPIRAL. PITCH 24 (19 PRODUCTS)	
40	0V3533	LH SPIRAL. PITCH 34 (13 PRODUCTS)	
41	0V3534	LH SPIRAL. PITCH 46 (10 PRODUCTS)	
42	0V3535	LH SPIRAL. PITCH 64 (7 PRODUCTS)	
43	250580	TRAY PLATE - SLAVE -	
44	251185	PRODUCT ELEVATION SPACER	



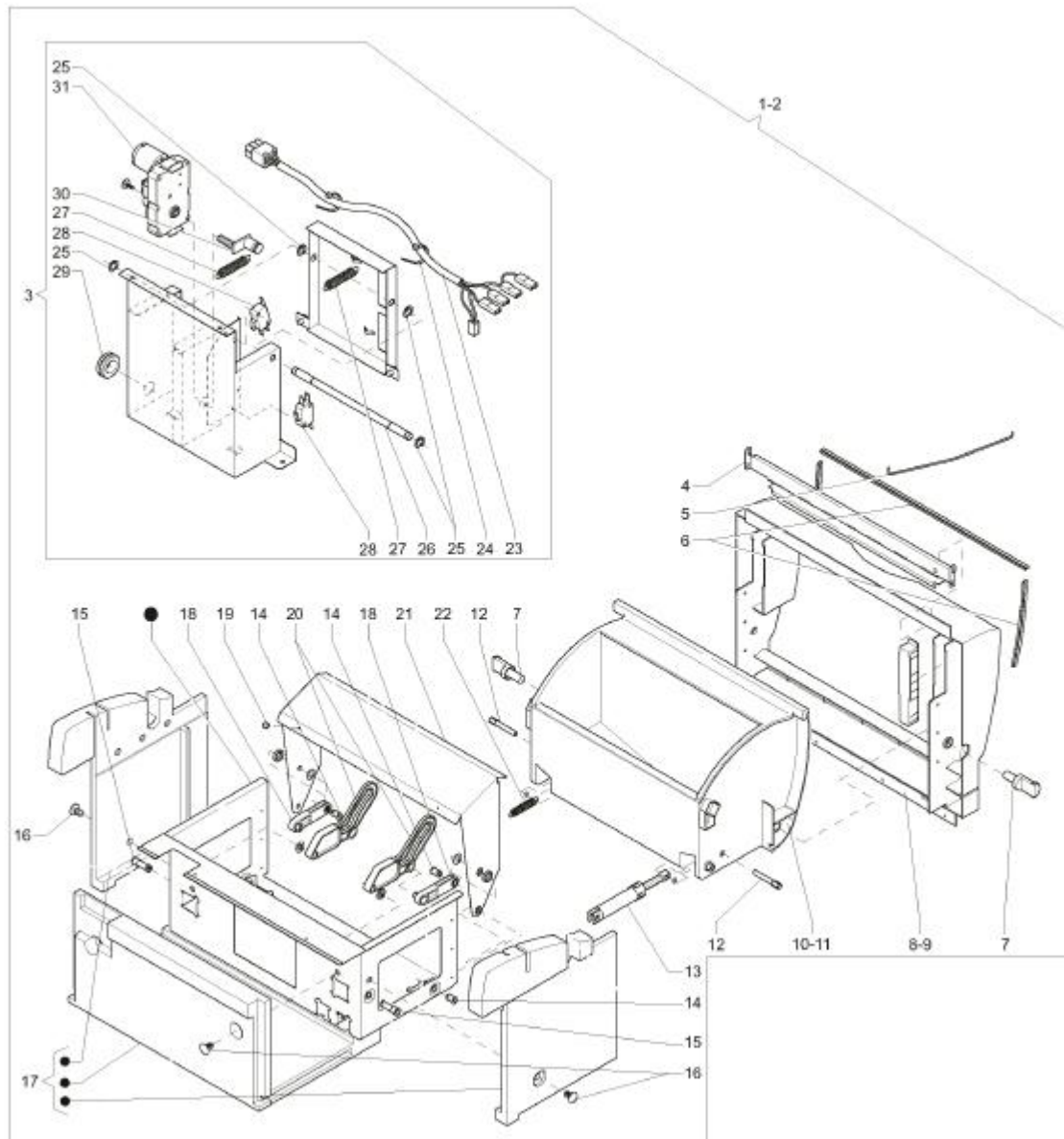
---

	<b>Code</b>	<b>Description</b>	<b>Notes</b>
1	0V3445	COOLING UNIT	
2	0V3518	CONDENSER	
3	0V3520	FAN SHIELD	
4	0V3519	DEHYDRATOR FILTER	
5	254807	ELECTRIC FAN 16WATT 50/60HZ	
6	0V3517	200X34 FAN	
7	0V3514	GL80TB COMPRESSOR	
8	985075	CAPACITOR	
9	0V3557	RELAY COMPRESSOR STARTER	
10	0V3558	COMPRESSOR-PROTECTION	
11	0V3522	COOLING UNIT WIRING	
12	0V3515	CONDENSATE COLLECTION TRAY	
13	0V3521	EVAPORATOR	
14	986060	ELECTRONIC SENSOR K277	
15	090148	CLIP	
16	0V3449	FAN DIAM 100	
17	0V3447	MOTOR	
18	0V3448	RUBBER PIECE	
19	0V3446	CELL TRAY	



---

	<b>Code</b>	<b>Description</b>	<b>Notes</b>
1	091159	TERMINAL FASTON MALE BRASS	
2	090959	FASTON W/O TONGUE	
3	091192	FASTON COVER	
4	090247	FEMALE FASTON COVER	
5	095955	TERMINAL MALE	
6	096136	TERMINAL FEMALE	
7	094405	TERMINAL FEMALE 2.5	
8	094954	FEMALE HOLDER CONNECTOR 3-WAYS	
9	098062	4-WAY CONNECTOR MATE-N-LOK AMP	
10	094955	FEMALE HOLDER CONNECTOR 2-WAYS	
11	0V0809	4-PIN CONNECTOR/P MOLEX 3191	
12	0V0808	3-PIN CONNECTOR/P MOLEX 3191	
13	0V0810	6-PIN CONNECTOR/P MOLEX 3191	
14	0V0811	9-PIN CONNECTOR/P MOLEX 3191	
15	0V0812	12-PIN CONNECTOR/P MOLEX 3191	
16	0V0818	12-PIN CONNECTOR/P MOLEX 3191	
17	0V0815	4-PIN CONNECTOR/P MOLEX 3191	
18	0V0817	9-PIN CONNECTOR/P MOLEX 3191	
19	0V0819	15-PIN CONNECTOR/P MOLEX 3191	
20	0V0813	15-PIN CONNECTOR/P MOLEX 3191	
21	0V0814	3-PIN CONNECTOR/P MOLEX 3191	
22	0V0816	6-PIN CONNECTOR/P MOLEX 3191	
23	093993	CHASER CONNECTOR FEMALE HOLDER 10-W	
24	094404	FEMALE HOLDER CONNECTOR 12-WAYS 2.5	
25	094712	FEMALE HOLDER CONNECTOR STOKO 6-WAY	
26	094961	FEMALE HOLDER CONNECTOR P.I. 12-W	
27	0V0820	MOLEX CONTACT PULLER	



	<b>Code</b>	<b>Description</b>	<b>Notes</b>
1	255187	DISPENSING COMPARTMENT FOR BLOCKING -GRAY-	
2	255188	DISPENSING COMPARTMENT FOR BLOCKING-BLACK	
3	250123	BLOCK FOR DISPENSING COMPARTMENT	
4	250569	MOLDING INSERT	
5	0V3451	DOOR STOP	
6	0V3481	SEAL (BY METRE)	
7	0V3480	ROTATION BUSHING	
8	0V3479	EXT. DISPENSING COMPARTMENT MOLDING	
9	250791	EXT. DISPENSING COMPARTMENT MOLDING-BLACK	
10	250121	DISPENSING SLIDER FOR BLOCK	
11	250771	DISPENSING SLIDER FOR BLOCK -BLACK-	
12	0V3483	PIN	
13	0V3482	SLOWDOWN CYLINDER	
14	0V3474	ANTI-THEFT PIN	
15	0V3477	CAM PIN	
16	0V3583	CLIPS	
17	0V3582	COMPARTMENT INSULATION	
18	0V3475	ANTI-THEFT ROD	
19	098833	BUFFER	
20	0V3476	ANTI-THEFT DEVICE CONTROL CAM	
21	0V3473	ANTI-THEFT	
22	0V3484	COMPARTMENT RETURN SPRING	
23	250118	SLIDER LOCK WIRING	
24	090148	CLIP	
25	091357	OUTER BENZING COLLAR DIAM MM7	
26	250117	PIN	
27	093978	SPRING FOR ACTUATOR	
28	0V1141	MICROSWITCH	
29	090020	WHIPPING MM 16	
30	250120	HANDLE	
31	0V0075	MOTOREDUCER	

195027, Санкт-Петербург, ул. Магнитогорская, д. 51, лит. "Б"

Телефоны: (812) 380-76-57, +7 905 223-11-80,  
+7 905 254-93-46 - менеджер по продажам.

График работы: понедельник-пятница 9.00-18.00

[www.megavend.ru](http://www.megavend.ru)

[www.vendex.ru](http://www.vendex.ru)  
(офис в Москве)