

SNAKKY MAX - 220V 50HZ



Подробнее о данном снековом торговом автомате: www.megavend.ru/automats

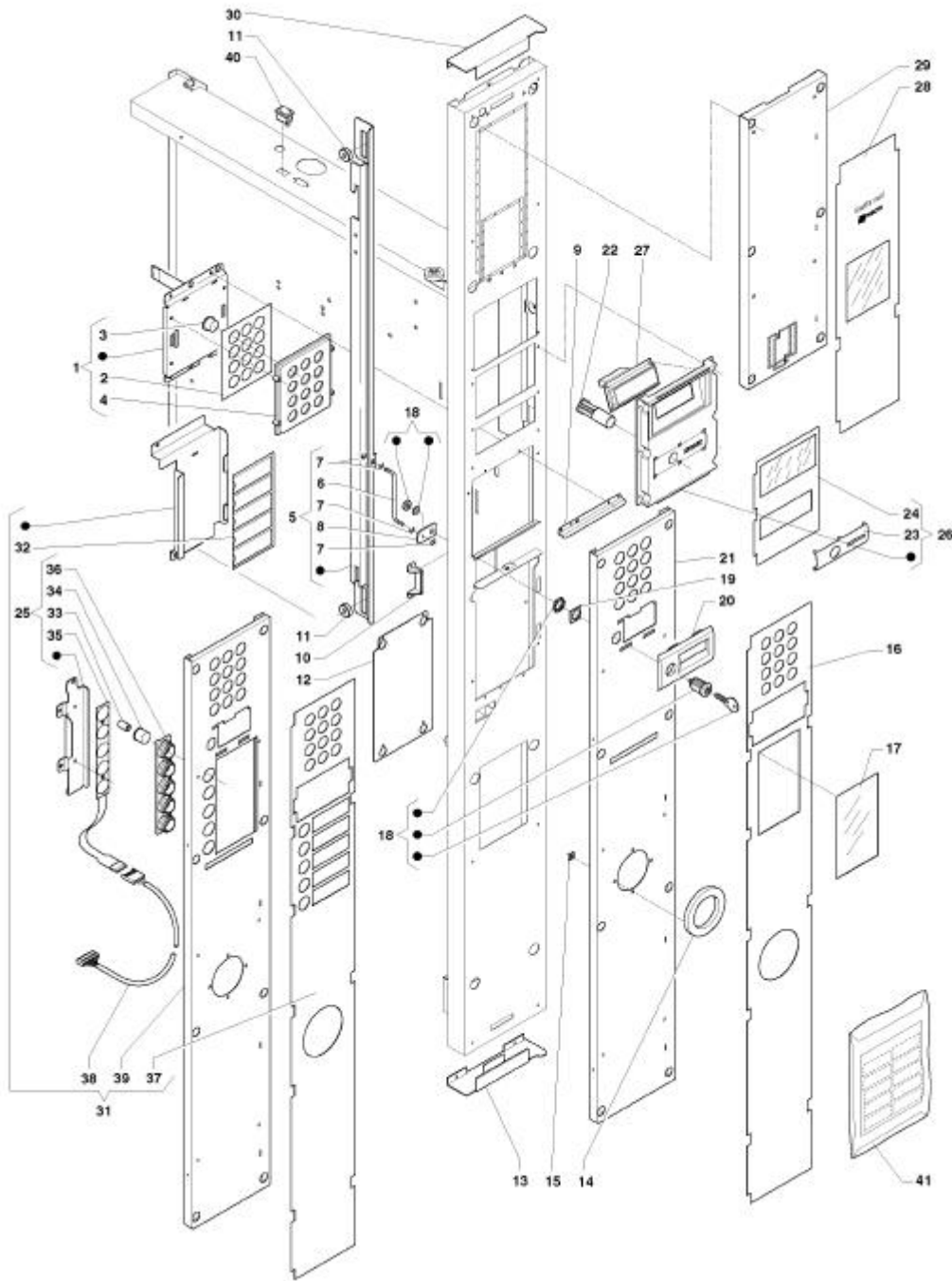
On-line каталог запасных частей: www.megavend.ru/spares

Технические характеристики автомата: www.vendex.ru/?id=93

195027, Санкт-Петербург, ул. Магнитогорская, д. 51, лит. "Б"

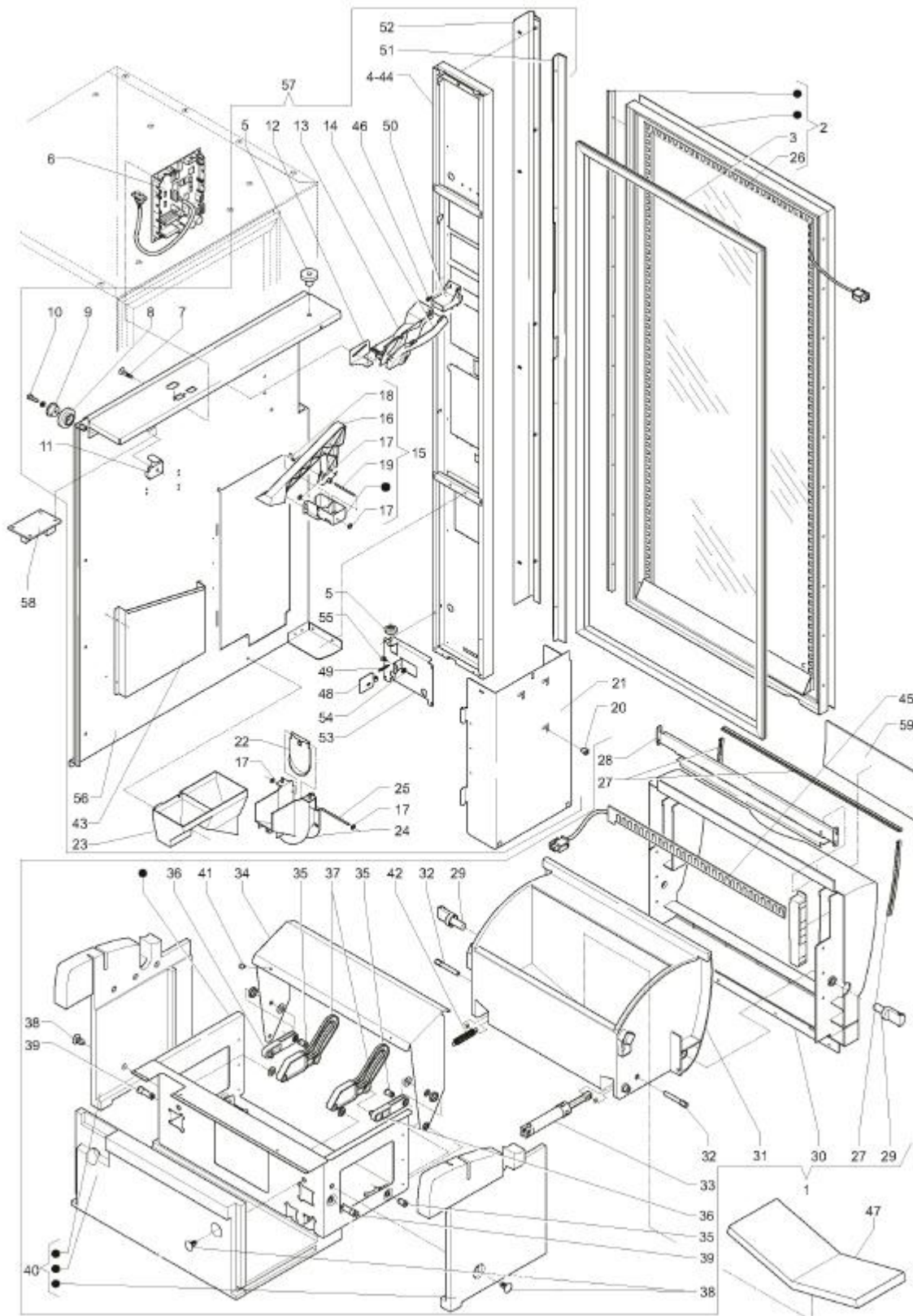
Телефоны: (812) 380-76-57, +7 905 223-11-80,
+7 905 254-93-46 - менеджер по продажам.

График работы: понедельник-пятница 9.00-18.00



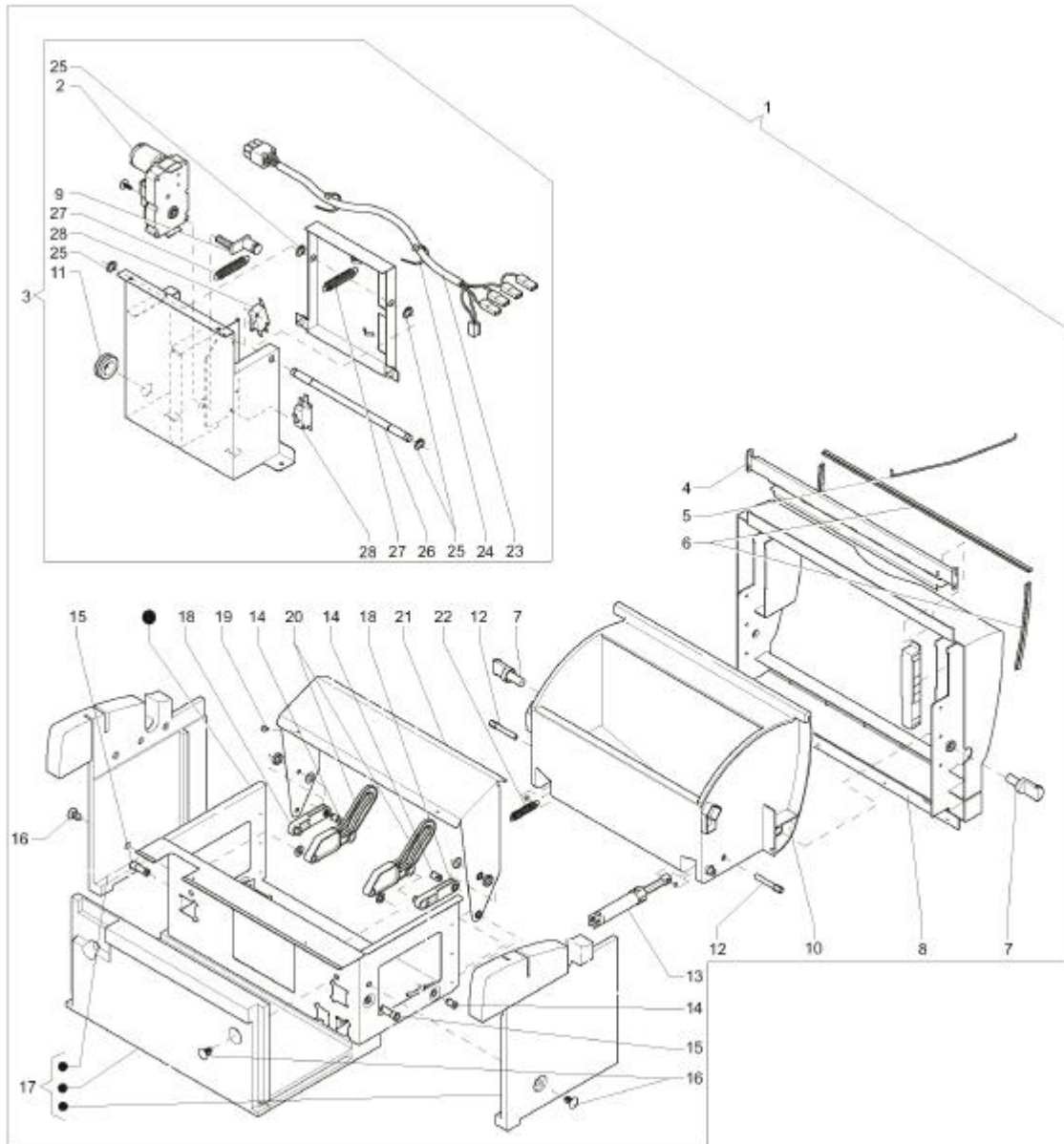
	Code	Description	Notes
1	250531	KEYPAD ASSEMBLY	
2	0V0070	MEMBRANE CONTROL PANEL	
3	0V4233	SELECTION BUTTONS	
4	0V4228	MEMBRANE-TYPE PUSH-BUTT.PANEL ELEM.	
5	250533	CLOSING ROD	
6	250494	CLOSING PIN	
7	098818	STOPPING RING D.4	
8	250487	LATCH BOLT	
9	250483	PUSH-BUTTON PANEL STRENGTHENING	
10	250490	LOCK INNER PROTECTION	
11	0V2047	LOCK ROD SPACER	
12	250474	CLOSING PIN PROTECTION	
13	250512	LOWER HEAD EXTENSION	
14	0V2073	DARK GREY COIN RETURN FRAME	
15	093829	LEVER LOCK CLIP	
16	250516	LOWER LABEL	
16	254638	LOWER LABEL SELECTA -S-	
17	250170	NEUTRAL LABELS	
18	099043	LOCK TYPE'N'PREFER	
18	099905	LOCK RIELDA	
19	093908	LOCKING POSITION DISK	
20	250514	HANDLE	
21	250473	COIN RETURN ELEMENT	
22	250506	COIN RETURN BUTTON	
23	250480	COIN INSERT PLATE	
24	250515	CENTRE LABEL	
24	253526	CENTRE LABEL -SELECTA-	
25	252492	CONTROL PANEL DIRECT SELECTION	
26	250513	DISPLAY SUPPORT	
26	253529	DISPLAY SUPPORT -SELECTA-	
27	251658	DISPLAY 4X20 BLUE	
27	252321	DISPLAY 4X20 BLUE-CIRILLICO-	
28	251710	UPPER LABEL	
28	253528	UPPER LABEL -SELECTA-	
29	250472	PAYMENT ELEMENT	
30	250511	UPPER HEAD EXTENSION	
31	250747	DIRECT KEYBOARD KIT	
32	250780	ADHESIVE LABEL HOLDER	
33	250159	PUSH-BUTTON ACTUATOR	
34	0V2071	COIN RETURN BUTTON	
35	250781	CONTROL PANEL DIRECT SELECTION	
36	250778	SUPPORT SELECTION KEYS	
37	250779	COIN RETURN LOWER LABEL	
38	250741	KEY-BOARD WIRING	
39	250777	COIN RETURN ELEMENT	
40	097807	BUTTON	

	Code	Description	Notes
41	250984	INSTRUCTION PLATE 'ENGLISH'	

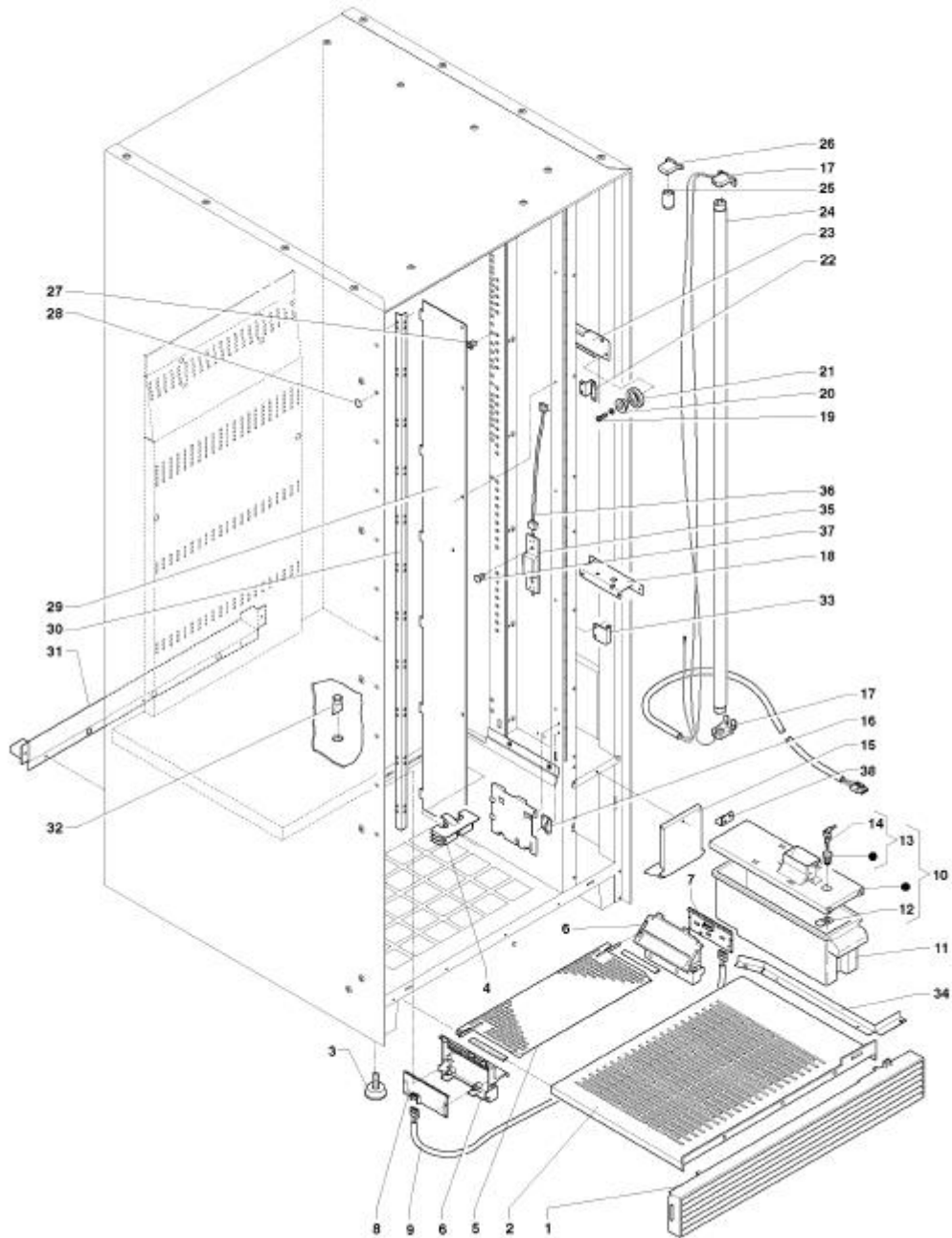


	Code	Description	Notes
1	250010	DISPENSING COMPARTMENT -BLACK-	
2	251715	WINDOW-SNAKKY MAX-	
3	251724	MGNETIC SEAL	
4	250534	CONTROL PANEL	
5	0V0102	ROLLER	
6	252436	16 BIT CPU BOARD 4MB	
7	097175	CARD SPACER	
8	0V3438	WHEEL	
9	0V3439	WHEEL BUSH	
10	096682	SCREW 6X18	
11	0V3469	SUPPORTING PLATE STOP	
12	250488	HALF CHUTE ADJUSTING BRACKET	
13	250505	UPPER COIN INTRODUCTION HALF CHUTE	
14	250504	LOWER COIN INTRODUCTION HALF CHUTE	
15	250532	COIN RETURN DEVICE	
16	0V3467	COIN RETURN LEVER	
17	093754	BENZING COLLAR QUICKBLOCK BQ DIAM MM	
18	099356	SPRING FOR CHANGE	
19	099355	CHANGE GIVING PIN	
20	094111	INSULATING DOLLY BLOCK	
21	250471	COIN MECH SUPPORT	
22	093890	MONEY RETURN SHUTTER	
23	250500	COIN RETURN CHUTE	
24	250008	COIN RETURN - BLACK -	
25	0V0983	SLIDER PIN	
26	251722	20W-230V WINDOW RESISTANCE	
27	0V3481	SEAL (BY METRE)	
28	250569	MOLDING INSERT	
29	0V3480	ROTATION BUSHING	
30	250791	EXT. DISPENSING COMPARTMENT MOLDING-BLACK	
31	250356	DISPENSING SLIDER - BLACK-	
32	0V3483	PIN	
33	0V3482	SLOWDOWN CYLINDER	
34	0V3473	ANTI-THEFT	
35	0V3474	ANTI-THEFT PIN	
36	0V3475	ANTI-THEFT ROD	
37	0V3476	ANTI-THEFT DEVICE CONTROL CAM	
38	0V3583	CLIPS	
39	0V3477	CAM PIN	
40	0V3582	COMPARTMENT INSULATION	
41	098833	BUFFER	
42	0V3484	COMPARTMENT RETURN SPRING	
43	0V3594	DOCUMENTATION HOLDER	
43	254205	DOCUMENTATION HOLDER WITH HOOKS	
44	250782	CONTROL PANEL DIRECT SELECTION	
45	251711	ADHESIVE HEATING-ELEMENT 24V-10W	

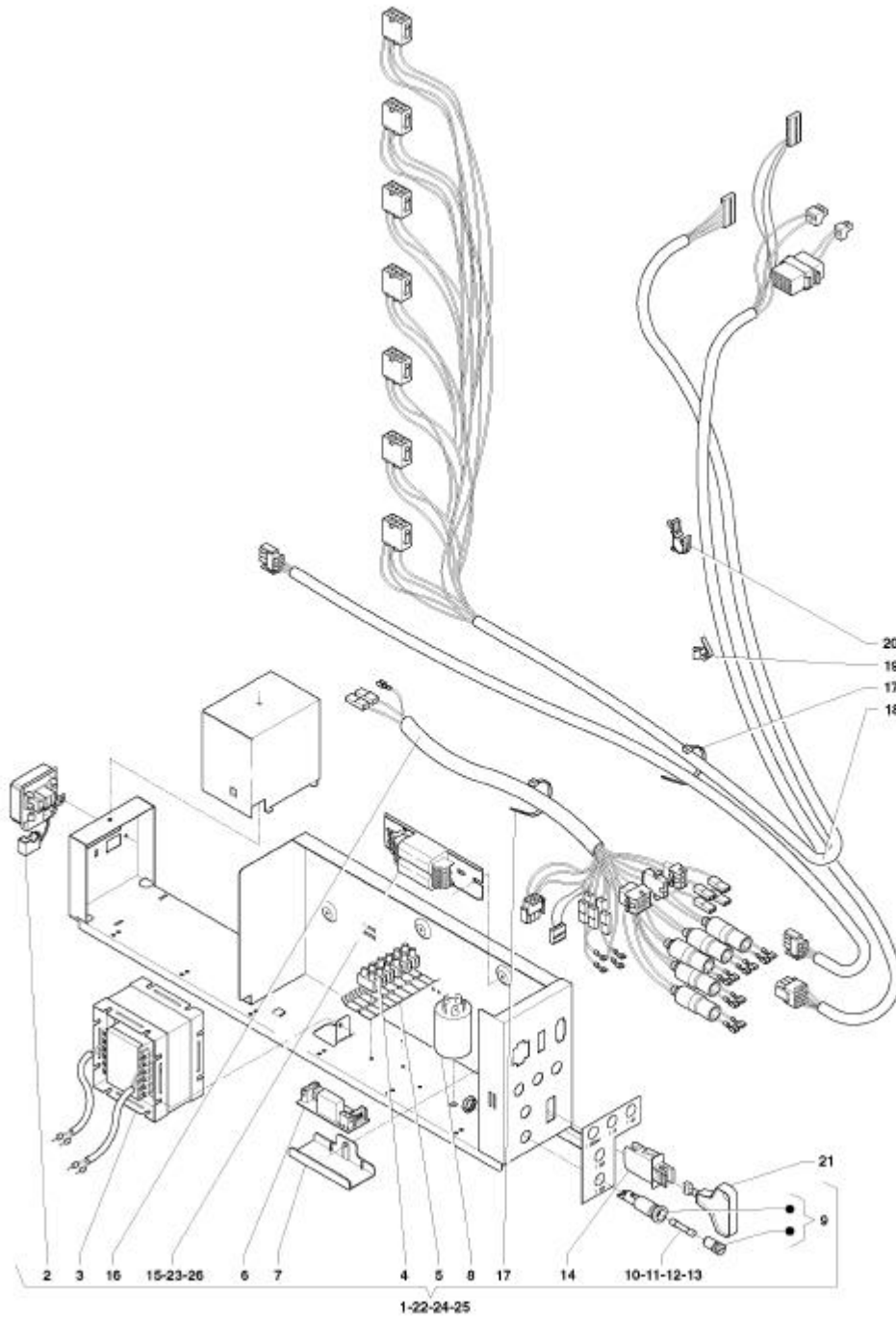
	Code	Description	Notes
46	255034	PLAIN TIP SELF-TAPPING SCREW 4X12	
47	250346	DAMPER BEARING	
48	0V1673	MICROSWITCH CONTROL LEVER	
49	093978	SPRING FOR ACTUATOR	
50	250502	FIXED COIN INTRODUCTION CHUTE	
51	251713	MIDDLE PROFILE	
52	251132	SIDE RIGHT PROFILE	
53	250484	DOOR MICRO ACTUATOR SUPPORT	
54	091703	SELF-BLOCKING NUT M4	
55	090615	COLLAR SCREW	
56	253263	SUPPORT PANEL	
57	252915	USER INTERFACE - SNAKKY MAX -	
58	254166	CURRENT REGULATOR CARD	
59	253806	DISPENSING COMPARTMENT ADHESIVE -LIOMATIC-	



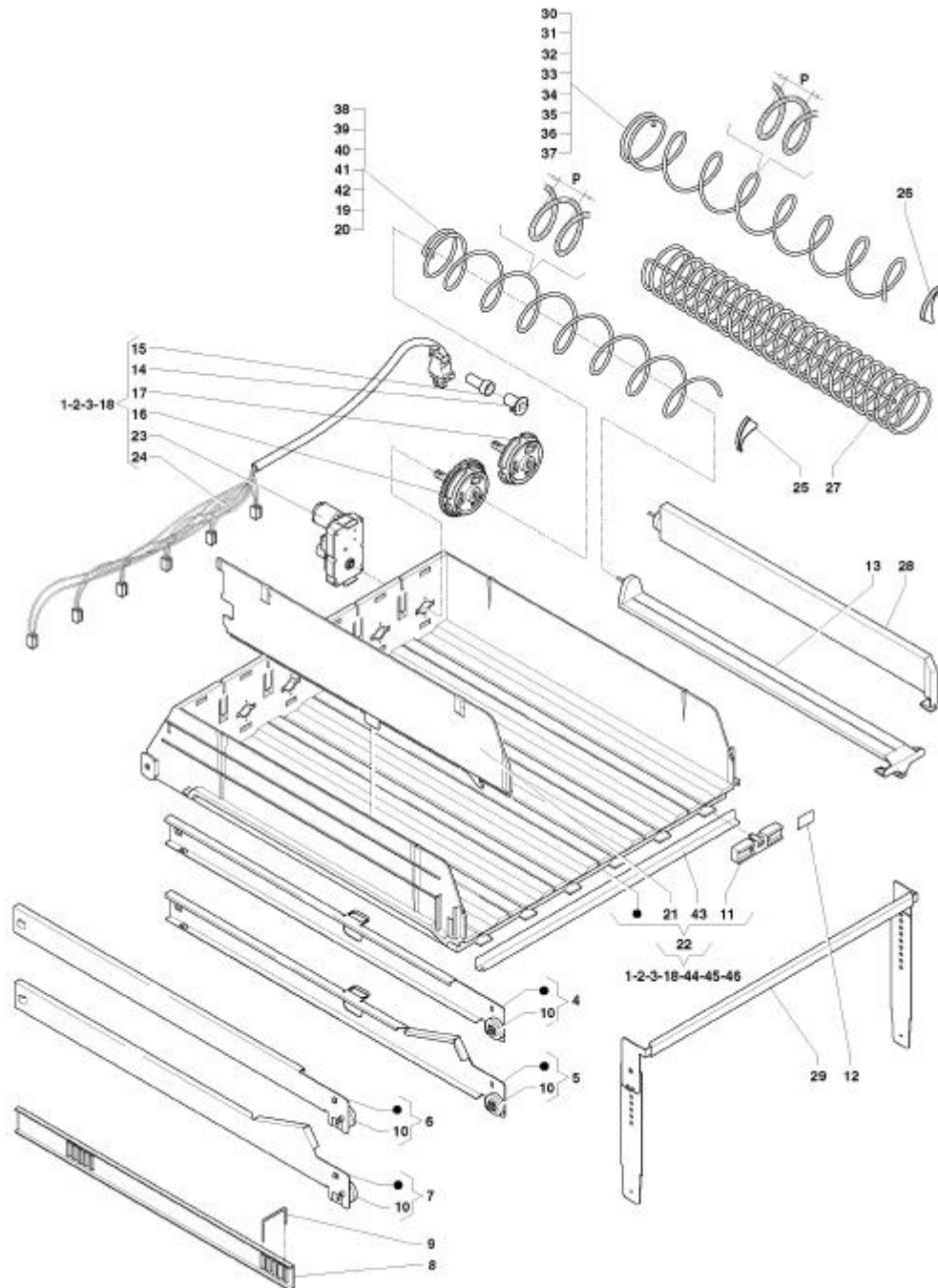
	Code	Description	Notes
1	255188	DISPENSING COMPARTMENT FOR BLOCKING-BLACK	
2	0V0075	MOTOREDUCER	
3	250123	BLOCK FOR DISPENSING COMPARTMENT	
4	250569	MOLDING INSERT	
5	0V3451	DOOR STOP	
6	0V3481	SEAL (BY METRE)	
7	0V3480	ROTATION BUSHING	
8	250791	EXT. DISPENSING COMPARTMENT MOLDING-BLACK	
9	250120	HANDLE	
10	250771	DISPENSING SLIDER FOR BLOCK -BLACK-	
11	090020	WHIPPING MM 16	
12	0V3483	PIN	
13	0V3482	SLOWDOWN CYLINDER	
14	0V3474	ANTI-THEFT PIN	
15	0V3477	CAM PIN	
16	0V3583	CLIPS	
17	0V3582	COMPARTMENT INSULATION	
18	0V3475	ANTI-THEFT ROD	
19	098833	BUFFER	
20	0V3476	ANTI-THEFT DEVICE CONTROL CAM	
21	0V3473	ANTI-THEFT	
22	0V3484	COMPARTMENT RETURN SPRING	
23	250118	SLIDER LOCK WIRING	
24	090148	CLIP	
25	091357	OUTER BENZING COLLAR DIAM MM7	
26	250117	PIN	
27	093978	SPRING FOR ACTUATOR	
28	0V1141	MICROSWITCH	



	Code	Description	Notes
1	251703	FOOT-COVER-SNAKKY MAX-	
2	251706	REMOVABLE GRID	
3	252124	4 FEET KIT	
4	0V3431	TUBE STOP	
5	0V3584	PRODUCTS CONVEYOR	
6	0V3581	PRODUCTS DEFLECTOR	
7	0V3499	RECEIVING PHOTOCELL CARD	
8	0V3498	TRANSMITTING PHOTOCELL CARD	
9	0V3454	PHOTOCELL WIRING	
10	250649	COIN BOX LID + LOCK	
11	250501	COIN BOX	
12	0V3595	LATCH	
13	090861	CYLINDER LOCK TYPE K	
14	092218	PASSE-PARTOUT LOCK K	
15	250524	CONNECTOR COVERING	
16	251708	MOLDING SECURING BRACKET	
17	099153	LAMP-HOLDER	
18	251048	WHEEL STRENGTHENING	
19	096682	SCREW 6X18	
20	0V3439	WHEEL BUSH	
21	0V3438	WHEEL	
22	251052	UPPER CLOSING BRACKET	
23	0V3588	UPPER GUIDE	
24	985532	NEON LIGHT 36 WATT	
25	091802	STARTER TYPE S10	
26	0V1554	STARTER HOLDER	
27	094111	INSULATING DOLLY BLOCK	
28	0V3585	STOPPER	
29	251709	LAMP SHIELD	
30	251723	WINDOW HINGE	
31	251707	REAR SPACER	
32	0V0346	DRAIN TUBE	
33	250489	CLOSING SQUARE	
34	250481	COIN BOX GUIDE	
35	254167	LED AND OPTICAL ILLUMINATION ASSEMBLY	
36	254604	LED CONNECTION WIRING 275MM	
37	254161	LED BRIDGE WIRING	
38	251055	COINBOX SQUARE BRACKET	

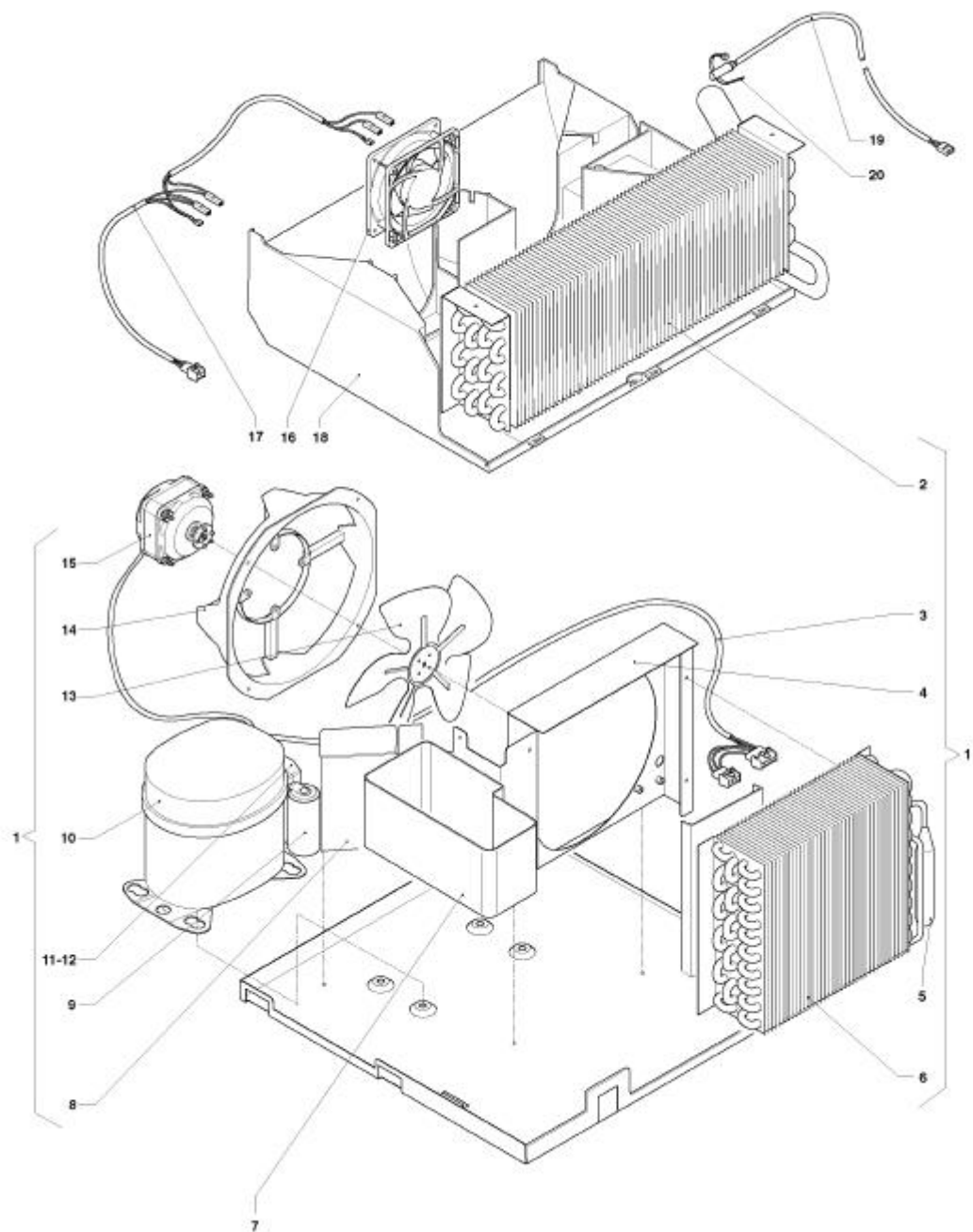


	Code	Description	Notes
1	0V3440	ELECTRICAL PANEL	
2	098796	TERMINAL BOARD	
3	0V0014	G49/25-25V TRASFORMER	
4	253539	12-POLE TERMINAL BOARD	
5	097242	SUB-TERMINAL BOARD	
6	0V0016	OUTR-VARISTOR CARD	
7	094849	COVERING-HOLDER	
8	0V3512	ELECTRICAL NET FILTER	
9	0V3201	FUSE HOLDER	
10	0V3170	6.3 AMP FUSE 6.3X32	
11	099778	FUSE 4 A 24V	
12	097676	FUSE 800 MA	
13	098779	FUSE 6.3X32 1 AMP	
14	097796	SWITCH	
15	987367	36-40WATT BALLAST	
16	0V3513	ELECTRICAL PANEL WIRING	
16	254613	LED ELECTRICAL PANEL WIRING SELECTA	
17	090148	CLIP	
18	251712	MAIN WIRING ASSEMBLY-SNAKKY MAX-	
18	254607	LED MAIN WIRING SELECTA	
19	098165	WIRE-FIXING	
20	098459	WIRE-CLIP	
21	0V1654	SWITCH KEY	
22	253557	ELECTRICAL PANEL 240V-UK/AUS-	
23	252898	240V 50HZ BALLAST -UK-	
24	250083	ELECTRICAL PANEL 220V-60HZ	
25	254712	ELECTRIC PANEL -SELECTA-	
26	250085	BALLAST 220V-60HZ 36/40 WATT	

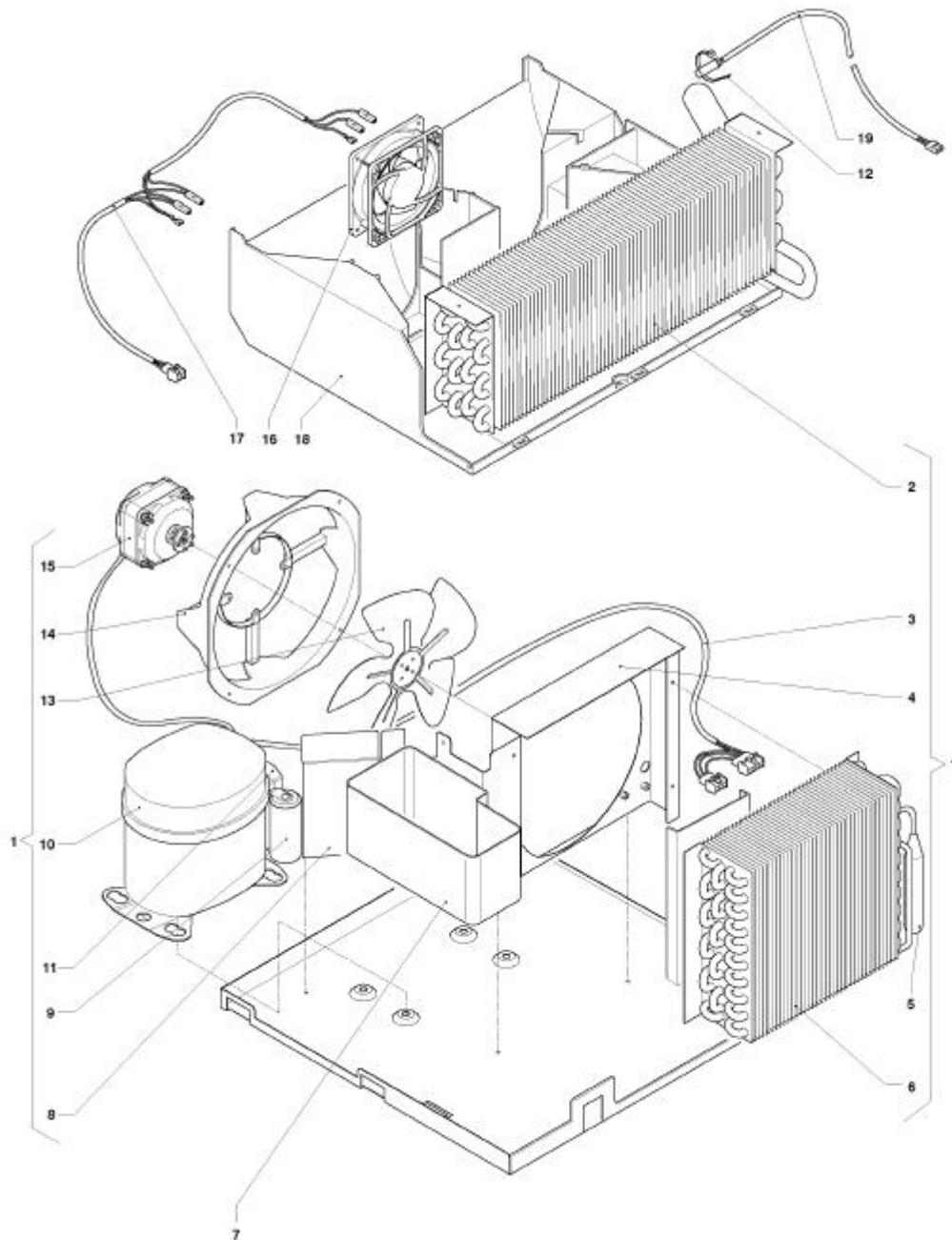


	Code	Description	Notes
1	0V3486	TRAY ASSEMBLY WITH 3 SELECTIONS	
2	0V3495	TRAY ASSEMBLY WITH 6 SELECTIONS-SNAKKY	
3	0V3597	TRAY ASSEMBLY WITH 5 SELECTIONS	
4	0V3432	RH STATIONARY GUIDE	
5	0V3434	RH BENT GUIDE	
6	0V3435	LH STATIONARY GUIDE	
7	0V3436	LH BENT GUIDE	
8	0V3509	DRAWER EDGE ELEVATION	
9	0V3510	DRAWER ELEVATION PIN	
10	0V0102	ROLLER	
11	0V3493	DRAWER WITH LABEL	
12	0V3504	(Q.TY 80) TRAY LABELS	
13	0V3497	PRODUCT ELEVATION	
13	254634	WHITE PRODUCT ELEVATION	
14	0V0080	BUSH FOR PIN	
15	0V0079	BUSH	
16	250321	ASSEMBLY FOR DOUBLE SPIRAL	
17	250320	ASSEMBLY FOR SINGLE SPIRAL	
18	250084	TRAY - 2 DOUBLE/2 SINGLE	
19	0V3536	LH SPIRAL. PITCH 80 (6 PRODUCTS)	
20	0V3539	LH SPIRAL. PITCH 40 (11 PRODUCTS)	
20	253625	LEFT SPIRAL.PITCH 30(15 PRODUCTS)	
21	0V3492	DRAWER EDGE	
21	254614	WHITE DRAWER EDGE	
22	0V3487	TRAY	
22	254608	2 SIDEWALLS TRAY WHITE	
23	0V0075	MOTOREDUCER	
24	0V3494	DRAWER WIRING	
25	0V0099	LEFT EJECTOR	
25	254629	6 LEFT EJECTORS WHITE	
26	0V0098	RIGHT EJECTOR	
26	254628	12 RIGHT EJECTORS WHITE	
27	0V3540	RH SPIRAL. PITCH 24 1/2 TURN (19+19 PROD.)	
28	0V3505	SPIRAL INSERT 1/2 REV	
29	0V3528	BOTTLE BRIDGE	
29	254813	WHITE BOTTLE BRIDGE	
30	0V3500	RH SPIRAL. PITCH 54 (8 PRODUCTS)	
31	0V3502	RH SPIRAL. PITCH 34 (13 PRODUCTS)	
32	0V3503	RH SPIRAL. PITCH 80 (6 PRODUCTS)	
33	0V3529	RH SPIRAL. PITCH 24 (19 PRODUCTS)	
34	0V3530	RH SPIRAL. PITCH 46 (10 PRODUCTS)	
35	0V3531	RH SPIRAL. PITCH 64 (7 PRODUCTS)	
36	0V3537	RH SPIRAL. PITCH 30 (15 PRODUCTS)	
37	0V3538	RH SPIRAL. PITCH 40 (11 PRODUCTS)	
38	0V3501	LEFT SPIRAL. PITCH 54 (8 PRODUCTS)	
39	0V3532	LH SPIRAL. PITCH 24 (19 PRODUCTS)	

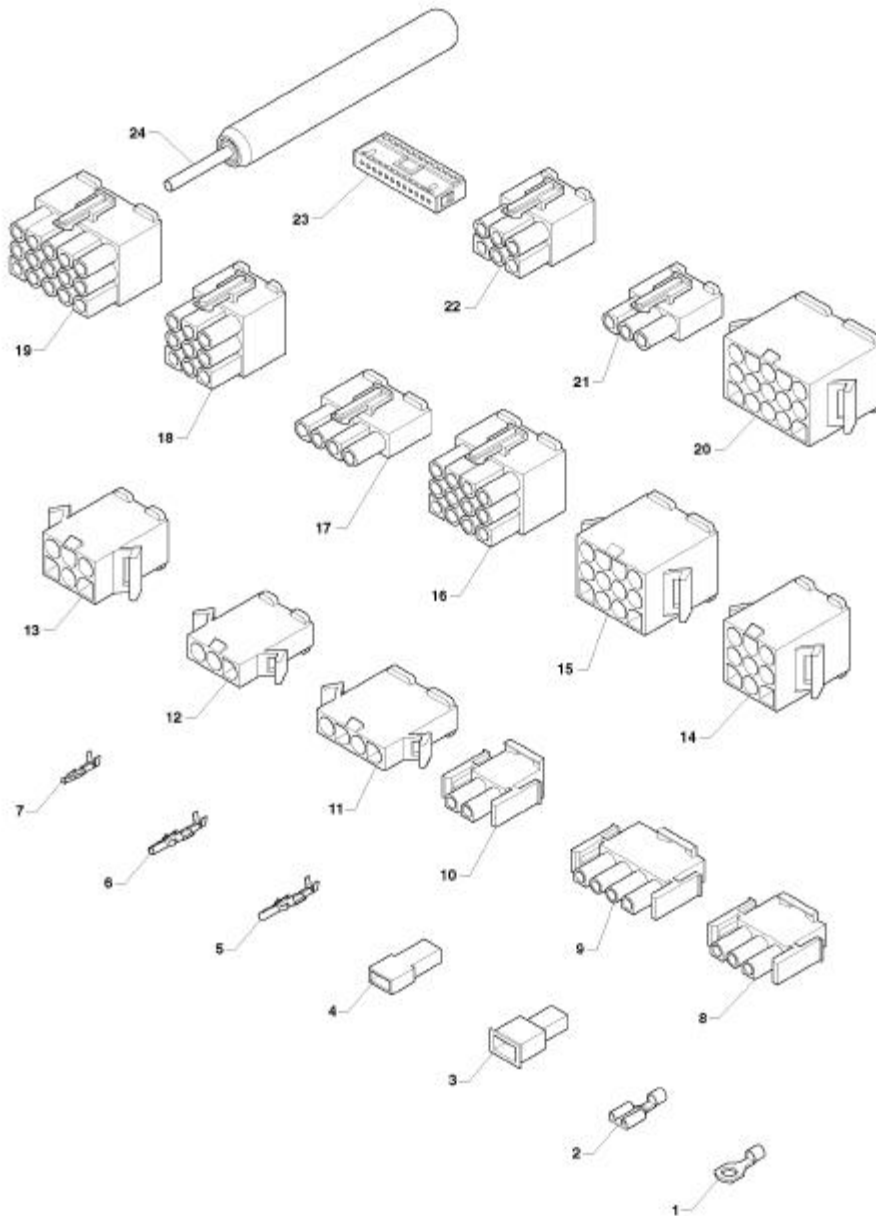
	Code	Description	Notes
40	0V3533	LH SPIRAL. PITCH 34 (13 PRODUCTS)	
41	0V3534	LH SPIRAL. PITCH 46 (10 PRODUCTS)	
42	0V3535	LH SPIRAL. PITCH 64 (7 PRODUCTS)	
43	253495	TRAY REINFORCEMENT	
44	254609	3-SELECTION TRAY WHITE	
45	254610	6-SELECTION TRAY WHITE	
46	254611	5-SELECTION TRAY WHITE	



	Code	Description	Notes
1	255367	GREEN REFRIGERATING GROUP	
2	251720	EVAPORATOR	
3	251719	COMPRESSOR WIRING	
4	251716	FAN SHIELD	
5	250542	DEHYDRATOR FILTER	
6	251721	CAPACITOR	
7	251704	CONDENSATE COLLECTION TRAY	
8	251717	BASIN COVER	
9	985075	CAPACITOR	
10	986933	COMPRESSOR GP 14 TB R134	
11	985074	STARTING RELAY COMPRESSOR	
12	0V1779	THERMOPROTECTOR COMPRESSOR	
13	250538	230-28° FAN WHEEL	
14	251718	COOLING FAN CONVEYOR	
15	254807	ELECTRIC FAN 16WATT 50/60HZ	
16	987828	FAN	
17	250519	EVAPORATOR FAN WIRING	
18	251705	CELL TRAY	
19	250612	TEMPERATURE PROBE	
20	090148	CLIP	



	Code	Description	Notes
1	254662	REFRIGERATING GROUP 220-230V 60HZ	
2	251720	EVAPORATOR	
3	251719	COMPRESSOR WIRING	
4	251716	FAN SHIELD	
5	250542	DEHYDRATOR FILTER	
6	251721	CAPACITOR	
7	251704	CONDENSATE COLLECTION TRAY	
8	251717	BASIN COVER	
9	985075	CAPACITOR	
10	254663	COMPRESSOR 200-230V 50-60HZ	
11	0V2660	COMPRESSOR PROTECTION AND RELAY	
12	090148	CLIP	
13	250538	230-28° FAN WHEEL	
14	251718	COOLING FAN CONVEYOR	
15	254807	ELECTRIC FAN 16WATT 50/60HZ	
16	987828	FAN	
17	250519	EVAPORATOR FAN WIRING	
18	251705	CELL TRAY	
19	250612	TEMPERATURE PROBE	



	Code	Description	Notes
1	090957	EYELET TERMINAL	
2	090959	FASTON W/O TONGUE	
3	091192	FASTON COVER	
4	090247	FEMALE FASTON COVER	
5	095955	TERMINAL MALE	
6	096136	TERMINAL FEMALE	
7	094405	TERMINAL FEMALE 2.5	
8	094954	FEMALE HOLDER CONNECTOR 3-WAYS	
9	098062	4-WAY CONNECTOR MATE-N-LOK AMP	
10	094955	FEMALE HOLDER CONNECTOR 2-WAYS	
11	0V0809	4-PIN CONNECTOR/P MOLEX 3191	
12	0V0808	3-PIN CONNECTOR/P MOLEX 3191	
13	0V0810	6-PIN CONNECTOR/P MOLEX 3191	
14	0V0811	9-PIN CONNECTOR/P MOLEX 3191	
15	0V0812	12-PIN CONNECTOR/P MOLEX 3191	
16	0V0818	12-PIN CONNECTOR/P MOLEX 3191	
17	0V0815	4-PIN CONNECTOR/P MOLEX 3191	
18	0V0817	9-PIN CONNECTOR/P MOLEX 3191	
19	0V0819	15-PIN CONNECTOR/P MOLEX 3191	
20	0V0813	15-PIN CONNECTOR/P MOLEX 3191	
21	0V0814	3-PIN CONNECTOR/P MOLEX 3191	
22	0V0816	6-PIN CONNECTOR/P MOLEX 3191	
23	094961	FEMALE HOLDER CONNECTOR P.I. 12-W	
24	0V0820	MOLEX CONTACT PULLER	

195027, Санкт-Петербург, ул. Магнитогорская, д. 51, лит.“Б”

Телефоны: (812) 380-76-57, +7 905 223-11-80,
+7 905 254-93-46 - менеджер по продажам.

График работы: понедельник-пятница 9.00-18.00

www.megavend.ru

www.vendex.ru
(офис в Москве)